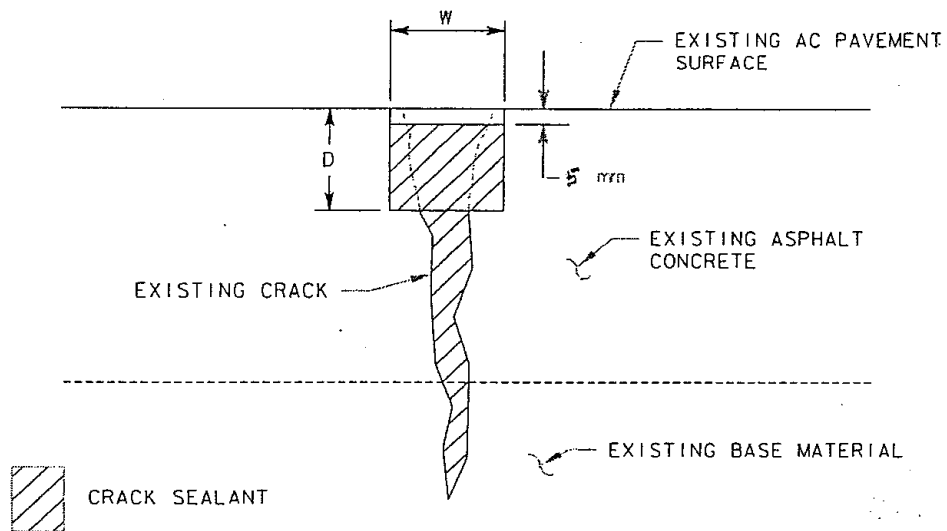


# ATTACHMENT A

W=WIDTH OF ROUTING=WIDTH OF CRACK + 5 mm MIN

D=DEPTH OF ROUTING=W + 5 mm MIN



- NOTES:
1. ALL CRACKS 5 mm WIDE OR GREATER ARE TO BE ROUTED AND SEALED.
  2. IF ANY PART OF ANY CRACK IS 5 mm OR WIDER THEN THE ENTIRE CRACK WILL BE ROUTED AND SEALED.
  3. NO SEALANT MATERIAL WILL BE ALLOWED ON AC PAVEMENT SURFACE

SEAL RANDOM CRACKS  
**TYPICAL CROSS SECTION**