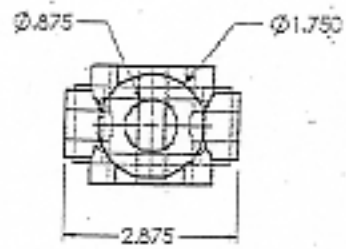


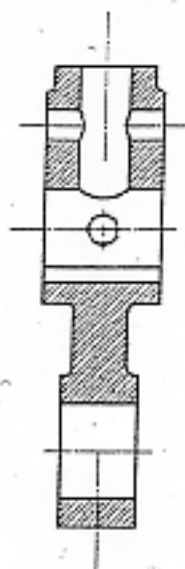
Please draw this solid and provide the following:

1. Layout with 3 views plus isometric.
2. Put your name and part name in the Title block.
3. Select a material for the part
4. Dimension the part in Solids and Layout

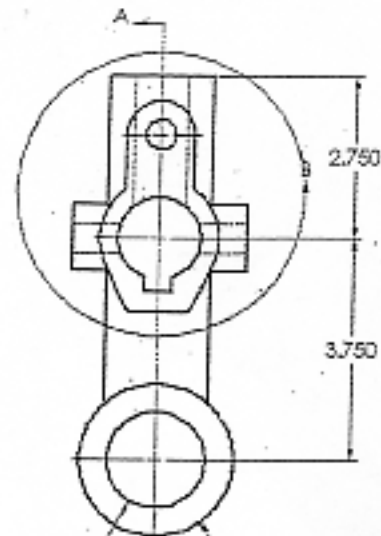
Top view of part.



Front view and section view of the part. Detail B follows.

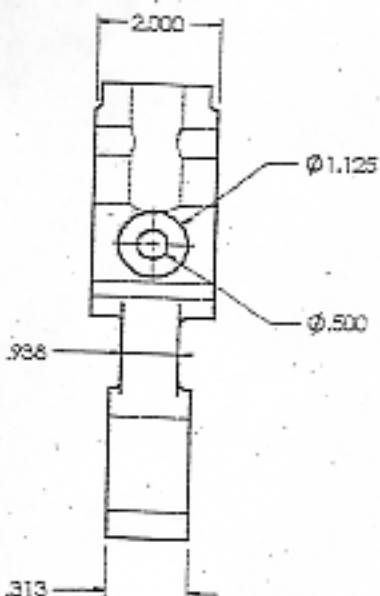


SECTION A-A

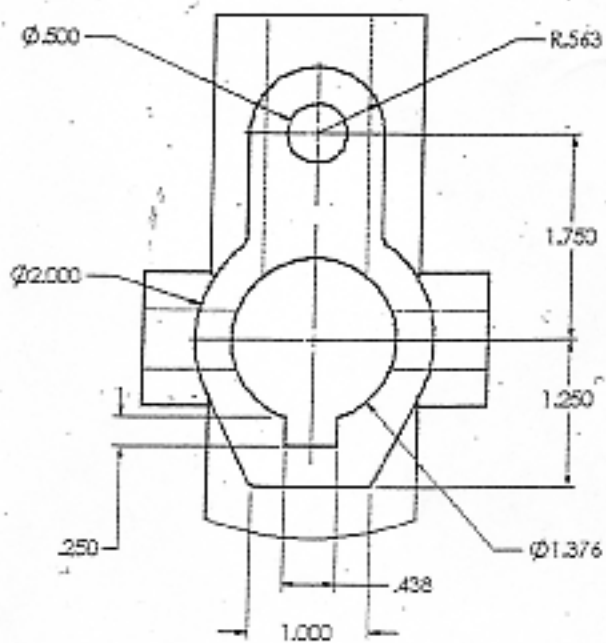


$\phi 1.625$   $\phi 2.564$

Right view of the part.



Detail B from the Front view.



DETAIL B  
SCALE 2:1