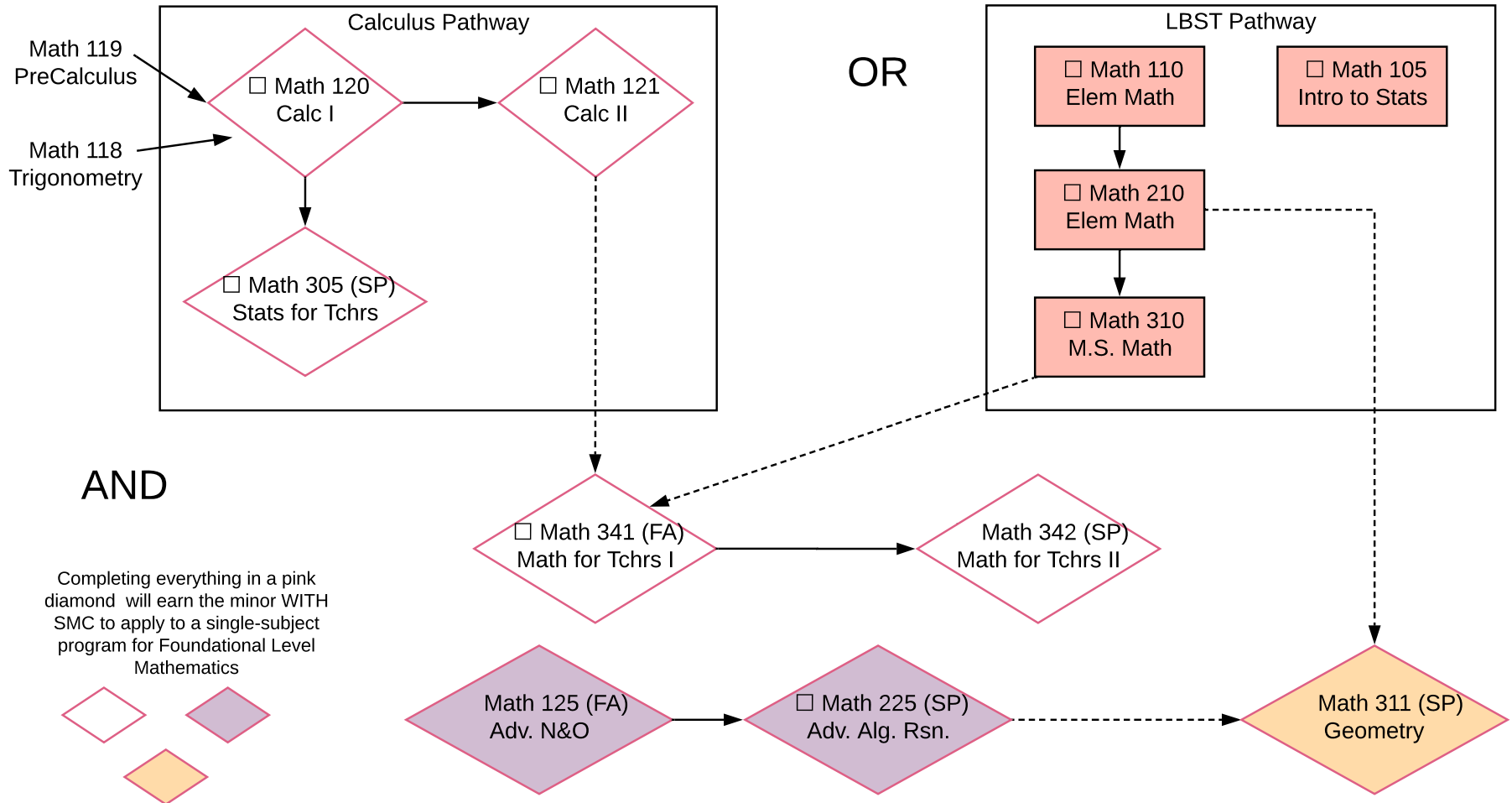


Minor in Mathematics Education



Prerequisite Courses for SINGLE SUBJECT

Required		Recommended	
Field Experience <input type="checkbox"/> MATH 241 (FA) <input type="checkbox"/> Twice OR <input type="checkbox"/> EDTE 255	<input type="checkbox"/> EDTE 302 Access & Equity in Ed	<input type="checkbox"/> EDTE 534 OR <input type="checkbox"/> SPED 343 Tch Special Populations	<input type="checkbox"/> CMST 131 or CMST 132
<input type="checkbox"/> ENGL 471 2nd Lang Acquisition	<input type="checkbox"/> EDTE 530 Fundamentals of Teaching	<input type="checkbox"/> EDTE 451 Health Ed for Secondary	<input type="checkbox"/> POLS 155

Students seeking Subject Matter Authorization:

32 Math Units needed - 27 included in Minor
 Additional 5 units may be any MATH coursework

WE RECOMMEND:

- Math 117 (FA) - Hands-on Lab (2)
- Math 117 (SP) - Hands-on Lab (2)
- Math 300 Math Seminar (1-2)